

# H.264 HDMI Extender Over TCP/IP

## USER MANUAL

### 1. Description

HDMI extender by single cable transmission distances to HD video signal, and at the same time support the distribution of signals to multiple receivers, serial data transmission, of this equipment can adapt to a variety of complex environment, with excellent image processing and transmission capacity, makes signal transmission more smooth and steady, is a reliable and efficient way of HDMI signal extension.

### 2. Features

- Through the Cat6 cable transmission distances to HDMI video and audio signals, up to 200 meters;
- High definition video signal resolution up to 1920\*1080@60Hz;
- Support local loop output;
- Compatible HDMI 1.3 standard;
- HDCP 1.2 standard - high-bandwidth digital content protection technology;
- Able to automatically identify and configure the various display modes;
- Built-in automatic balance system, the picture is fluent, clear, stable;
- Built-in ESD electrostatic protection circuit, all-round protection system security;
- Easy and convenient installation, plug and play, do not need to set up;

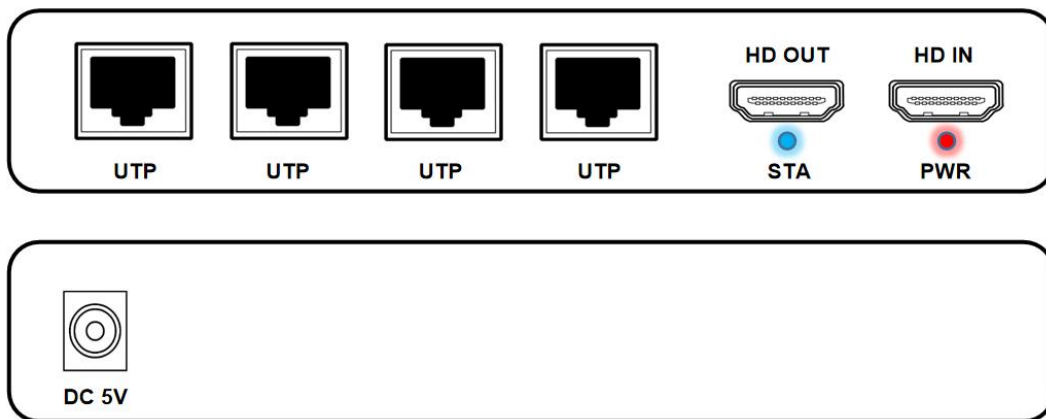
### 3. Package list

- |                    |       |
|--------------------|-------|
| ● HDMI transmitter | 1 pcs |
| ● HDMI Receiver    | 4 pcs |
| ● Power adapter    | 5 pcs |
| ● User manual      | 1 pcs |
| ● Foot Pad         | 4 pcs |

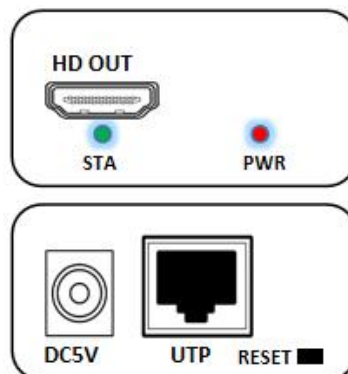
### 4. Specifications

	Parameter	Description
Video	Standards	HDMI 1.3; HDCP 1.2
	Compressed format	H.264
	Maximum pixel clock	165MHz
	Maximum data rate	6.75Gbps
	Resolution	Max: 1920X1080p@60Hz
	Connector	HDMI-A
	Recommend HDMI maximum input/output range	Less than 5 meters, when 1920 x1080P @ 60 Hz
Ethernet	Interface	RJ45
	Transmission distance	CAT6---200M,
Other	Power supply	power adapter:DC 5V/1A
	Power dissipation	MAX 4W
	Temperature	Operating:-5°C ~ +70°C
	Humidity	Operating:5% ~ 90%
	Dimension	TX:144*81.8*24.5mm/RX:82*46*13.5mm
	The warranty	1 year free warranty

## 5.Panel Transmitter



## Receiver

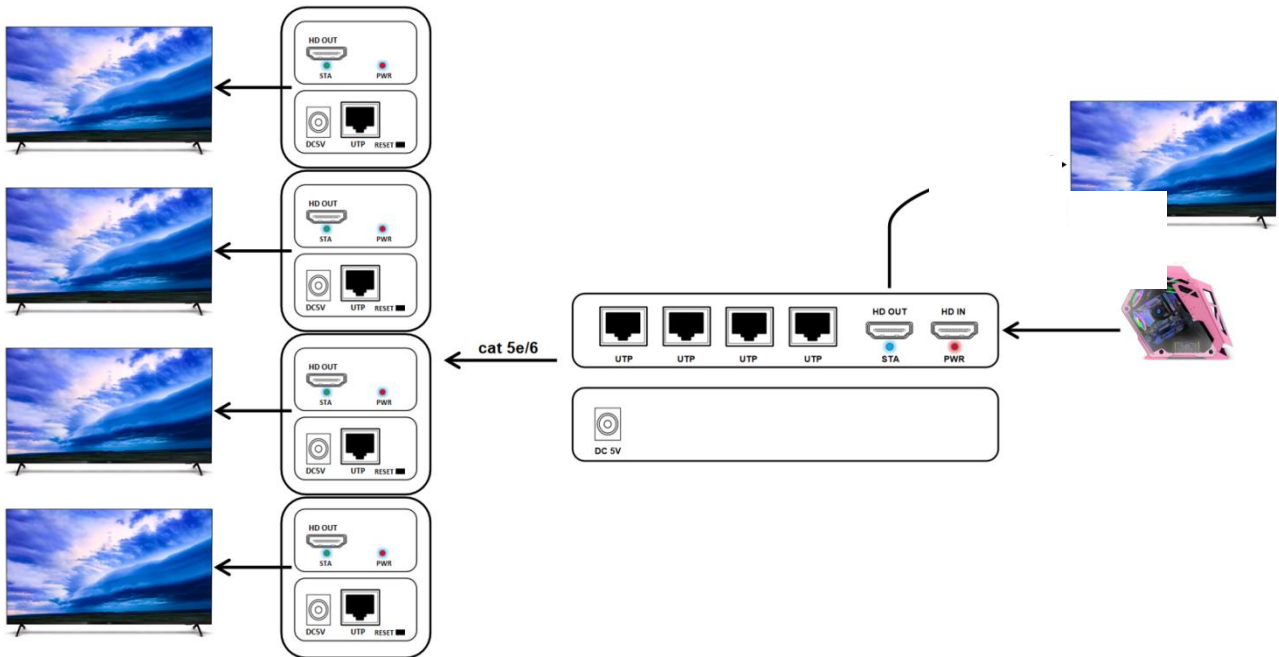


<b>Port name</b>	<b>Description</b>
HD IN/HD OUT	HDMI signal input/output
DC 5V	Power adapter socket
RESET	Press for 5 second to restore system setting to factory default
UTP	Ethernet interface
<b>LED indicator</b>	<b>Description</b>
STA	Video signal connection indicator
PWR	System power indicator

## 6.Installation

- 1、 will the HDMI source access HDMI signal transceiver sender,
- 2、 Connect the HDMI receiver of transceiver to display devices (such as high-definition TV, splicing screen, etc.)
- 3、 Using Cat5e / 6 cable connects the sender and the receiver front-end ports,
- 4、 will be the sender and the receiver connected to the power supply, when the STA indicator light flash, the normal operation of system.

## 7.Diagram



## 8.Warranty

Please keep the user manual in a place where safety and easy to find so that you can read it immediately when meet problems.

safety instruction:

- Please do not disassemble this product by yourself because it doesn't including DIY function.
- Please don't make the product touch water in case damaged, because it is Not waterproof design.
- Please use dry cloth material when clean the product surface.
- Please do not use this product in the environment of too wet or too high temperature.
- Please avoid contact with corrosive substances.
- When there is damage or other physical damage to the product, please stop using and contact with customer service to get support.